

INSTALLATION AND USER MANUAL

THE EVOLVE SUSPENDED FIRE

Bioethanol



We would like to thank you for your purchase of an Aurora Suspended Fire. The care and craftsmanship we put into each fire will give you trouble free heating for many years to come. 🔥

CONTENTS

1. PLANNING

INTRODUCTION	4
CLEARANCE TO COMBUSTIBLES	5

2. DIMENSIONS & SPECIFICATIONS

FEATURES, WEIGHTS AND DIMENSIONS	7
----------------------------------	---

3. INSTALLATION

SUSPENSION BRACKET	10
LOWER FLUE	12
FIREBOX	14
BIOETHANOL FIREPLACE	16
ENGAGING THE FIREBOX	15
FOR INSTALLERS	17
INSTALLATION CHECKLIST	18

1. PLANNING



Aurora


INTRODUCTION

For your safety, ensure you have read the operation guidelines prior to use. Your fire must be installed by a qualified professional. Refer to our website for assistance finding an installer in your area:

aurorasuspendedfires.com/planning-customer-support/faq/

INSTALLATION PROCESS

1. Choose the position of firebox and flue ensuring that you follow the clearances described within this section.
2. Install the suspension bracket
3. Install the lower flue
4. Engage the firebox
5. Install the eco-smart drip tray and burner

 *Mixing of appliance or flue-system components from different sources or modifying the dimensional specification of components may result in hazardous conditions. Where such action is considered, Aurora fires should be consulted in the first instance.*

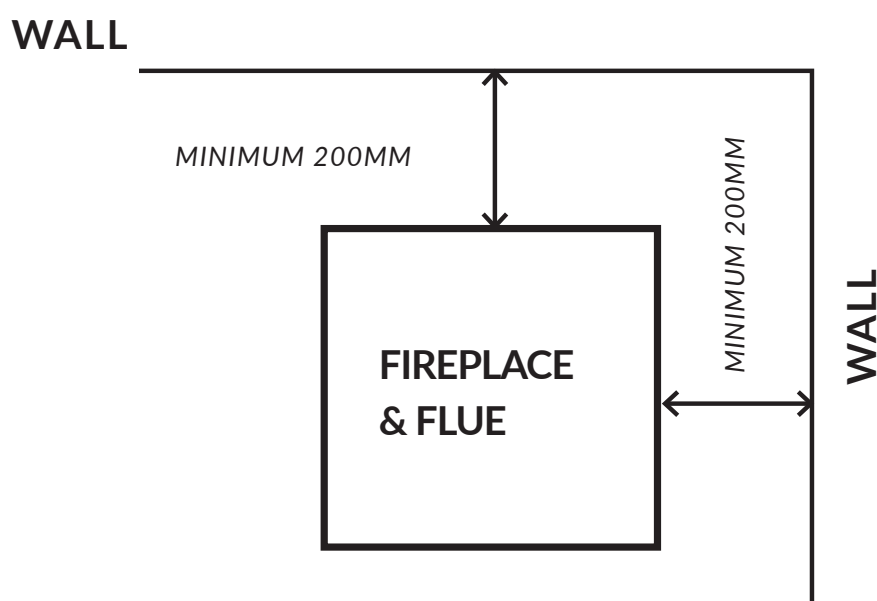
CLEARANCE TO COMBUSTIBLES

A combustible surface is anything that can burn (i.e. plaster, wall paper, wood, fabrics etc.) These surfaces are not limited to those that are visible, but also include materials that are behind non-combustible material. Timber frames behind gyprock are considered combustible.

IMPORTANT

Window frames must also be considered. Timber window frames must be treated as combustible surfaces. Aluminium frames can be treated as non-combustible

The firebox or flue must be a minimum of 200mm away from combustible materials. The distance to non-combustible surfaces is reduced to 100mm.

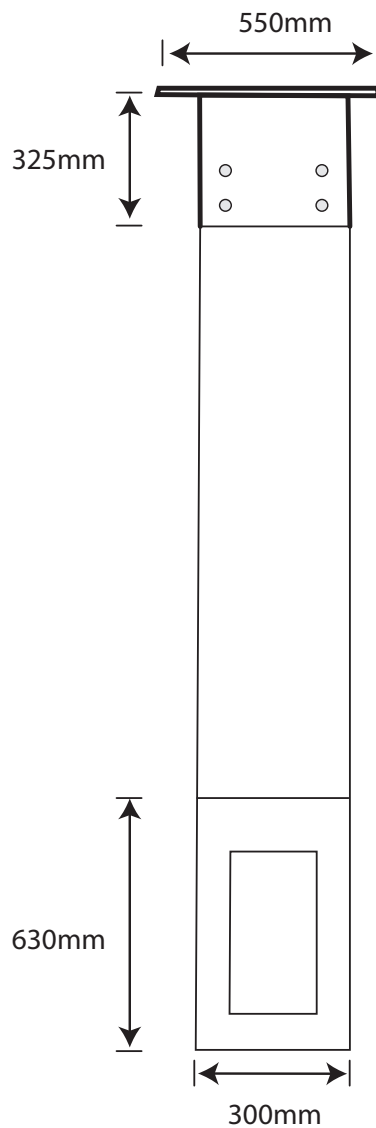


2. DIMENSIONS & SPECIFICATIONS



Aurora

THE EVOLVE

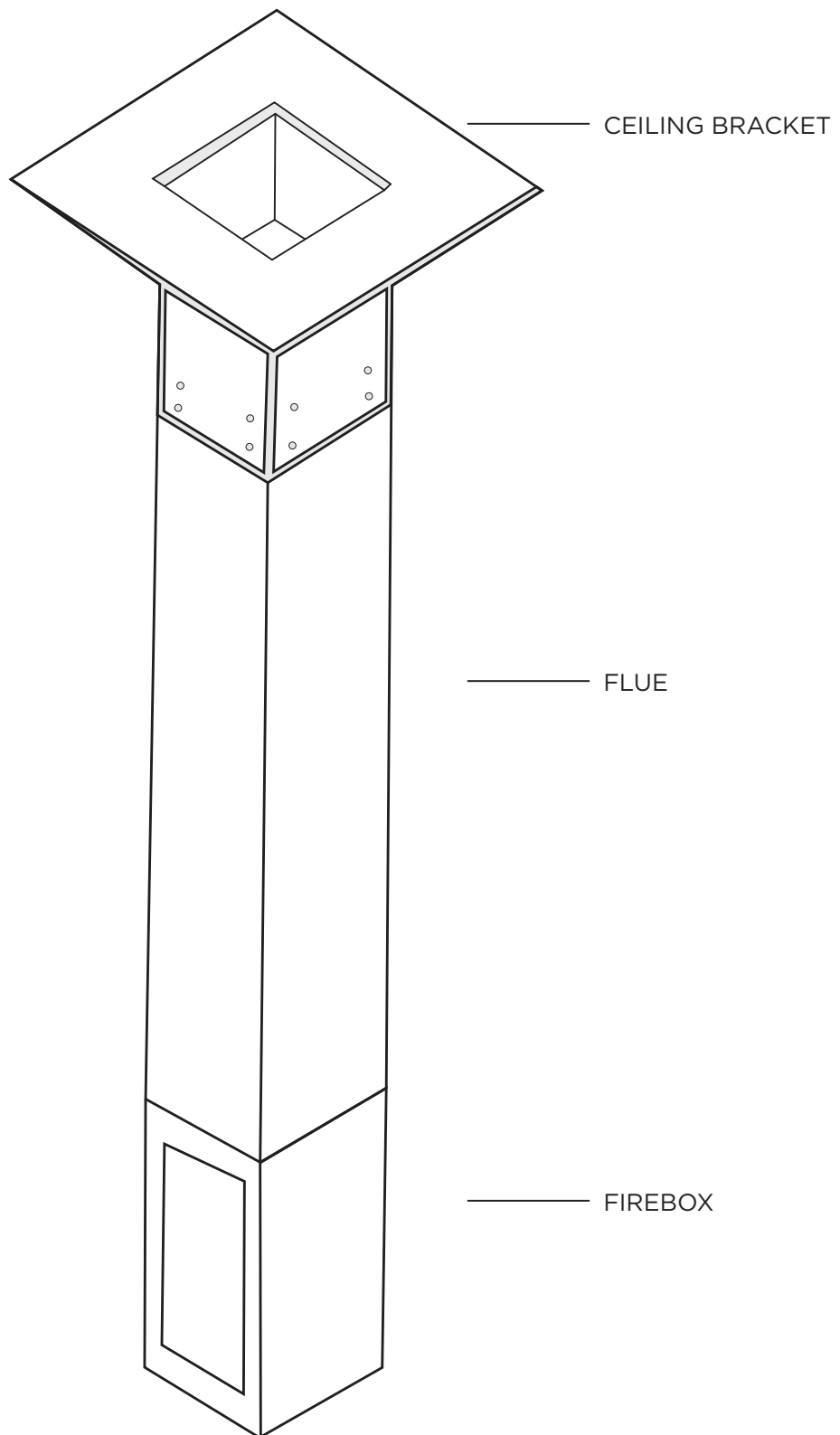


FEATURES

- Material: 3mm Steel
- Finish: high temperature coating system
- Heat Output 1.7kW
- Colour: matte black
(A range of other colours are available on request. For more information visit our website.)

WEIGHT & DIMENSIONS

Firebox width	300mm
Firebox height	630mm
Firebox weight	20kgs
Flue weight	28kg/m



3. INSTALLATION



Aurora

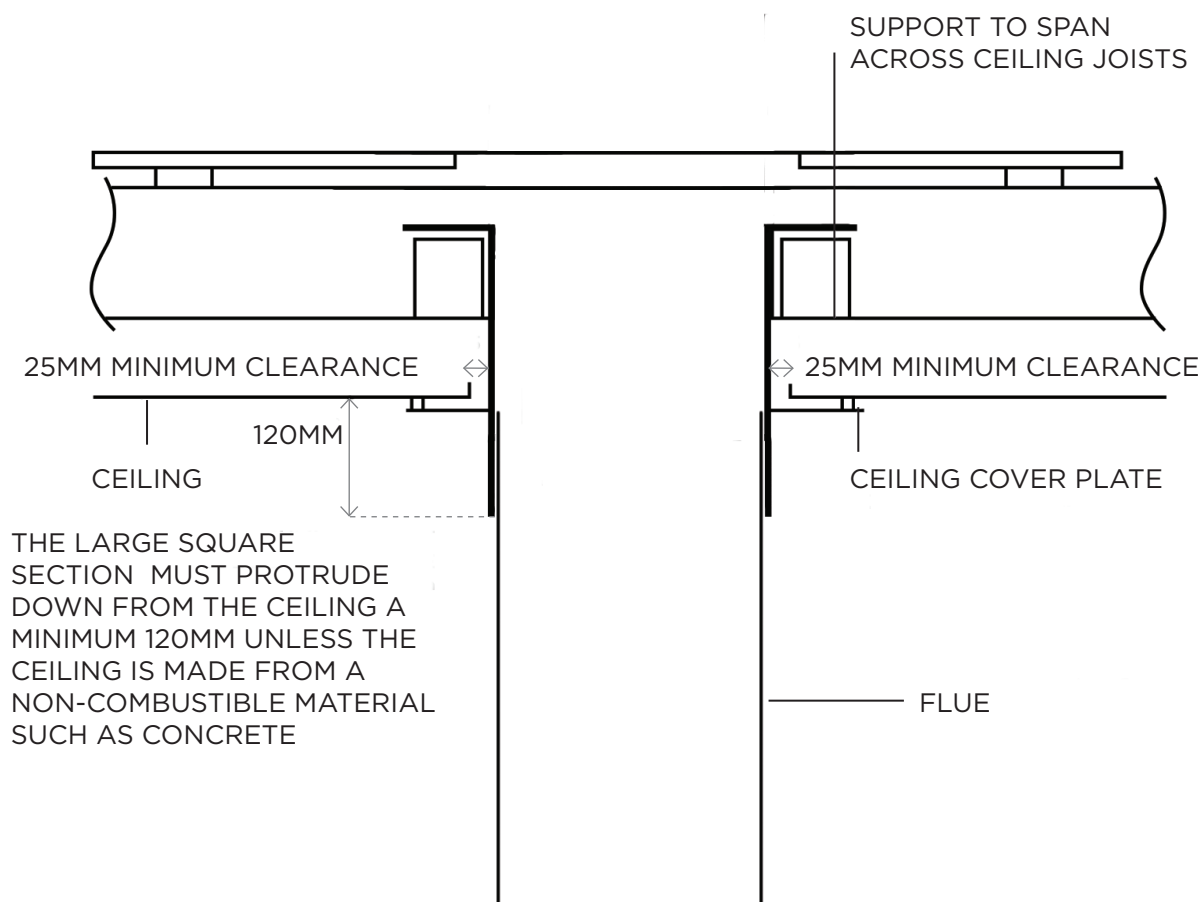
SUSPENSION BRACKET

FLAT CEILING INSTALLATION:

The bracket must be structurally secured within the roof, as shown on the diagram.

The large square body of the ceiling bracket must protrude down through the finished ceiling level by a minimum of 120mm.

You must leave a 25mm clearance gap between the bracket and the ceiling. The gap will be covered by the ceiling cover plate.

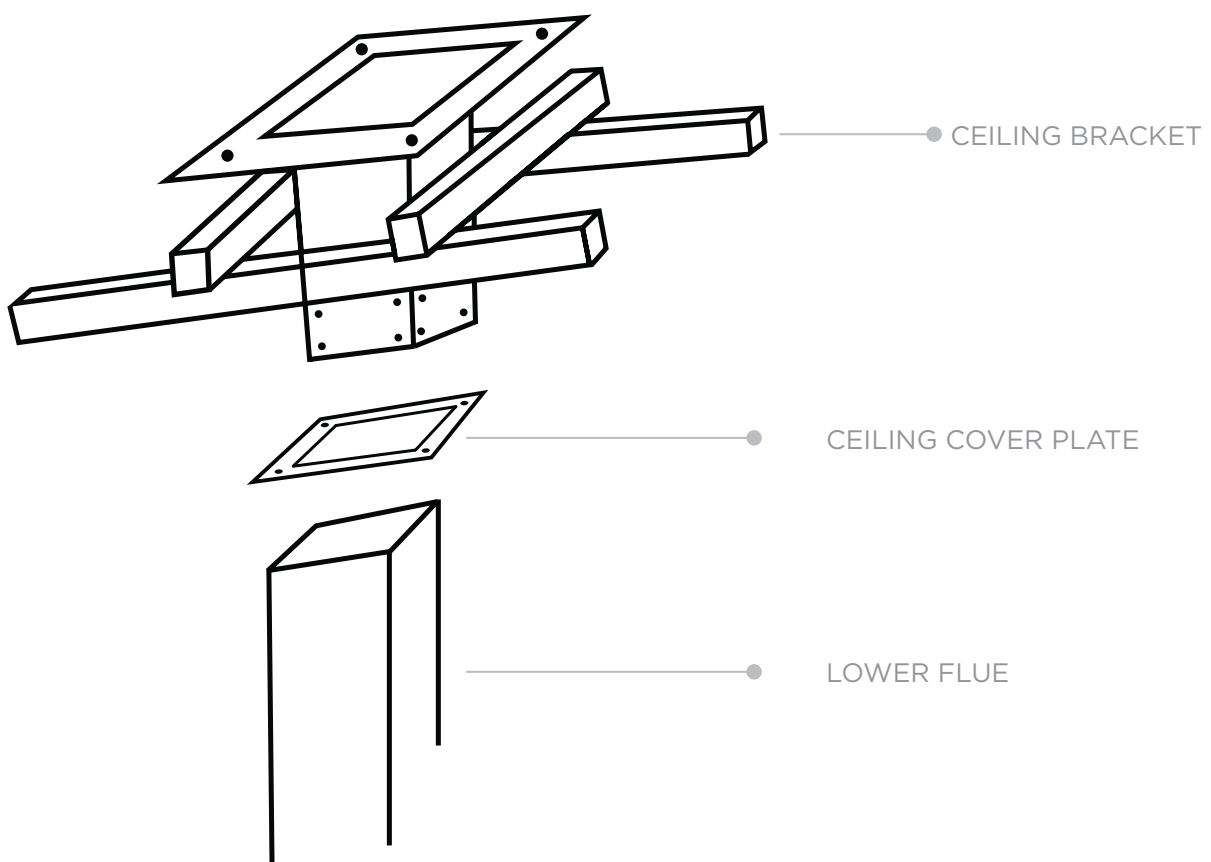


» PITCHED CEILING INSTALLATION Custom Made

For pitched ceilings we will custom fabricate your bracket to the required angle.

When installing the bracket, it is very important that the bracket is sitting plumb.

The installer may need to chock up one side of the bracket, with non combustible material i.e. cement sheet.



LOWER FLUE

LOWER FLUE LENGTHS

We supply the lower flue in the standard sizes listed below. The extra length will be pushed up into the ceiling bracket, enabling you to set the correct distance of the firebox to the floor.

FLUE LENGTHS

1.6m 2.5m

1.8m 2.75m

2.0m 3.0m

2.25m

▶ Sizes above 3m will come in two pieces, with an internal joiner.

INSTALLING A TWO PIECE LOWER FLUE

Lower flues over 3 metres are supplied in two parts and are joined internally with a flue connector. This assists installers in achieving a safe and successful installation.

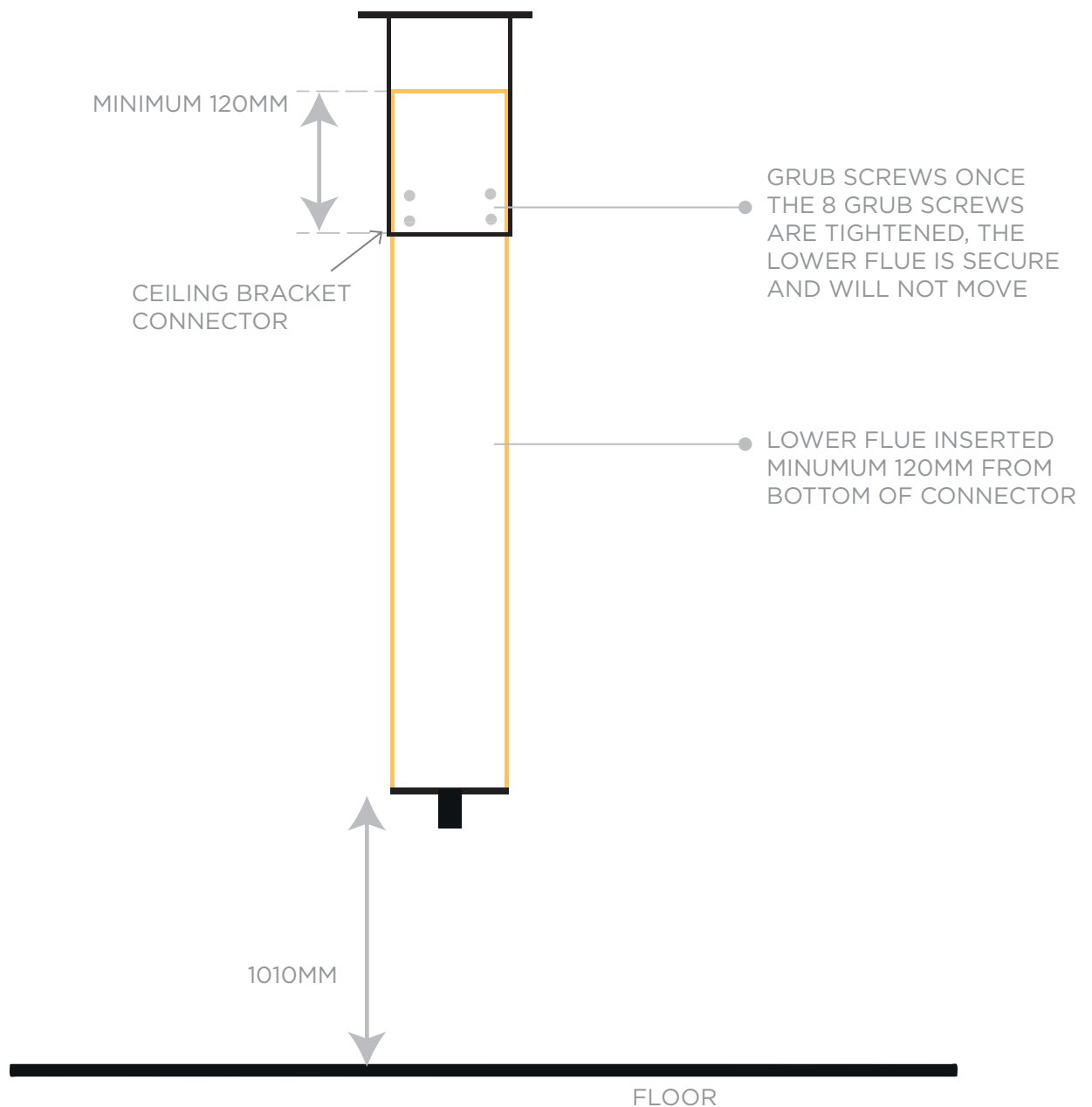
Do not attempt to join these prior to attaching to the suspension bracket.

1. Attach the upper piece to the suspension bracket first.
2. When this is in place attach the lower part.

INSTALLING THE INTERNAL LOWER FLUE

The lower active flue is delivered with additional length to allow for small changes to set the correct firebox height.

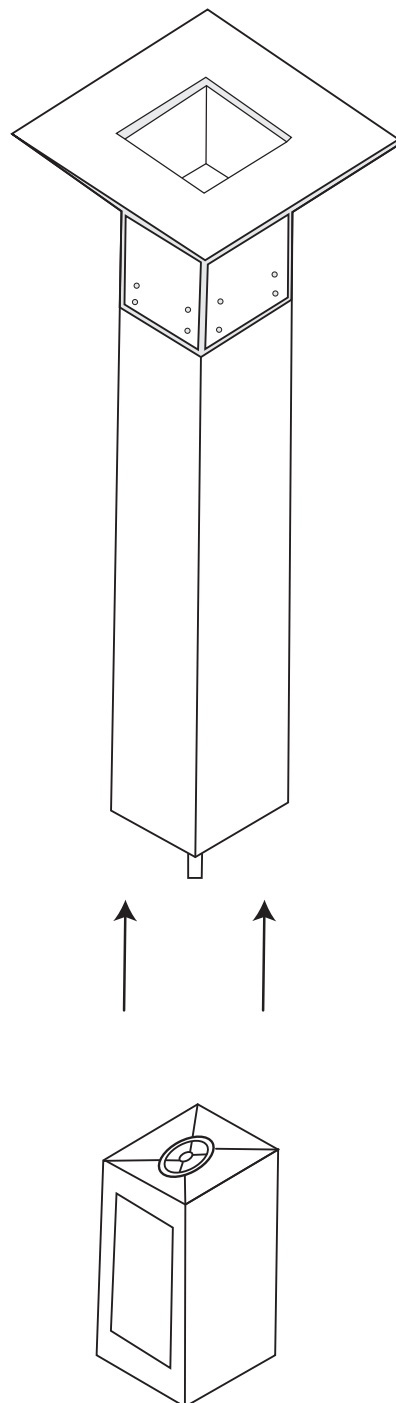
1. First position the lower flue inside the suspension bracket 1010mm from the floor.
2. Once the height is achieved tighten the 8 grub screws. Use a level to ensure that the flue is perfectly vertical.



FIREBOX

ENGAGING THE FIREBOX

1. Ensure the lower flue is the correct height from the floor
2. Use a jacking trolley to lift the firebox evenly onto the fixing shaft
3. Fit the blanking plate to cover the opening in the flue



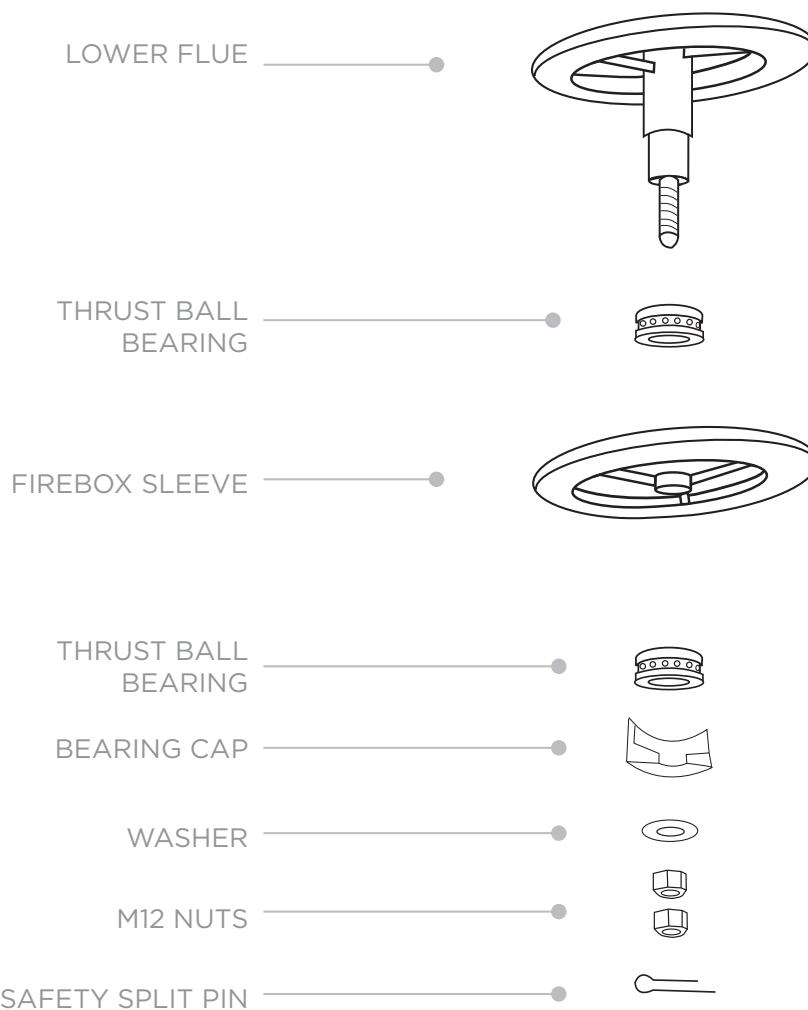
ENGAGING THE FIREBOX

Assemble the shaft & bearing system in the following order:

1. Push thrust bearing over shaft
2. Engage the firebox.
3. Push 2nd thrust bearing over shaft.
4. Fit bearing cap.
5. Fit washer.
6. Fit M12 nut & tighten.
7. Fit 2nd M12 nut & tighten.
8. Fit safety split pin.

IMPORTANT

Ensure the threaded shaft does not knock against the firebox when engaging. This can damage the thread.



BIOETHANOL FIREPLACE

The Evolve fireplace is fitted with an EcoSmart AB3 burner which uses bioethanol fuel.

As bioethanol gives off nothing but water vapour there is no need for an external flue. The lower active flue will be blanked inside the firebox.

FOR INSTALLERS

CLEANING UP

If the fire paint has accumulated dust, fingerprints or other residue during installation Wipe the firebox and lower flue down with a little water and a scratch free glass polishing cloth. Use a light spray of WINDEX if required.

DO NOT RUB THE PAINT. A LIGHT PRESSURE IS ALL THAT IS NEEDED.

HANDING OVER CHECKLIST

- Read the Users instructions and instruct the user on the operation of the fireplace and cleaning methods. Leave instructions with the customer.
- Inform the customer that any odours are due to the newness of materials and will disperse after the initial burn instructions are followed.
- Advise the customer on the importance of an adequate air supply.

INSTALLATION CHECKLIST

INSTALLATION MUST TAKE PLACE IN THE FOLLOWING ORDER

- Suspension bracket installed plumb and clear of combustibles. Dropbox to protrude minimum 120mm below ceiling.
- 25mm clearance gap between the bracket and the ceiling. This gap will be covered by the ceiling cover plate.
- Lower flue installed 1010mm from the floor.
- Grub screws tightened.
- Firebox lifted into position evenly to protect the threads from damage. Washers and nuts installed and tightened to close the gap between firebox and lower flue to approximately 1mm to 2mm.

IMPORTANT

This must be ticked and signed by the person who installs your fire and returned to aurora suspended fires following installation for any warranty claims to be honoured.

NAME

SIGNATURE

DATE



Aurora

65B Piper Dr, Ballina NSW 2478 Australia

www.aurorasuspendedfires.com



AUSTRALIAN
HOME HEATING
ASSOCIATION INC.

