



eurofireplaces





# Contents

## About Euro Fireplaces

### About

The Future of Wood Heating 4

### Heating With Convection

How a Euro Heats Your Home 11

### External Air Intake

Enabling 6 Star Wood Heating 15

### Steel or Stone?

Choosing a Finish for Your Heater 19

### Distributor Network

Where to Buy a Euro Fireplace 23

### Heat Bank

Heat Storage and Distribution 27

### Pellet Heating

The Latest in Heating Technology 31

### Insert Finishes

Customising an Insert or Brunner 37

## Our Range

### Milano Group

Europe's Favourite Heater 10

### Falun Group

Heating Made Simple 14

### Andorra Group

Elegant Wood Heating 18

### Buller Group

The European Powerhouse 22

### Olbia Group

Premium Wood Heating 26

### Pellet Group

Environmental Heating 30

### Insert Group

Seamless Designs 36

### Brunner Group

The Pinnacle of Wood Heating 40

## Legend



Log size



Heat Bank available



Easy to remove ash tray



1.8kg wood per hour



External air intake



Riddle Grate



## From the Heart of Europe 100 Years of Tradition & Experience

Euro Fireplaces is the sole importer of a carefully selected range of European fireplaces from leading manufacturers including Thorma, Haas + Sohn and Brunner.

Regular visits to our European Manufacturers as well as local industry seminars enable us to provide detailed factual advice on our product range and outstanding level of customer service.

**BRUNNER**  **THORMA** HAAS + SOHN





## To the Victorian High Country Home of Euro Fireplaces

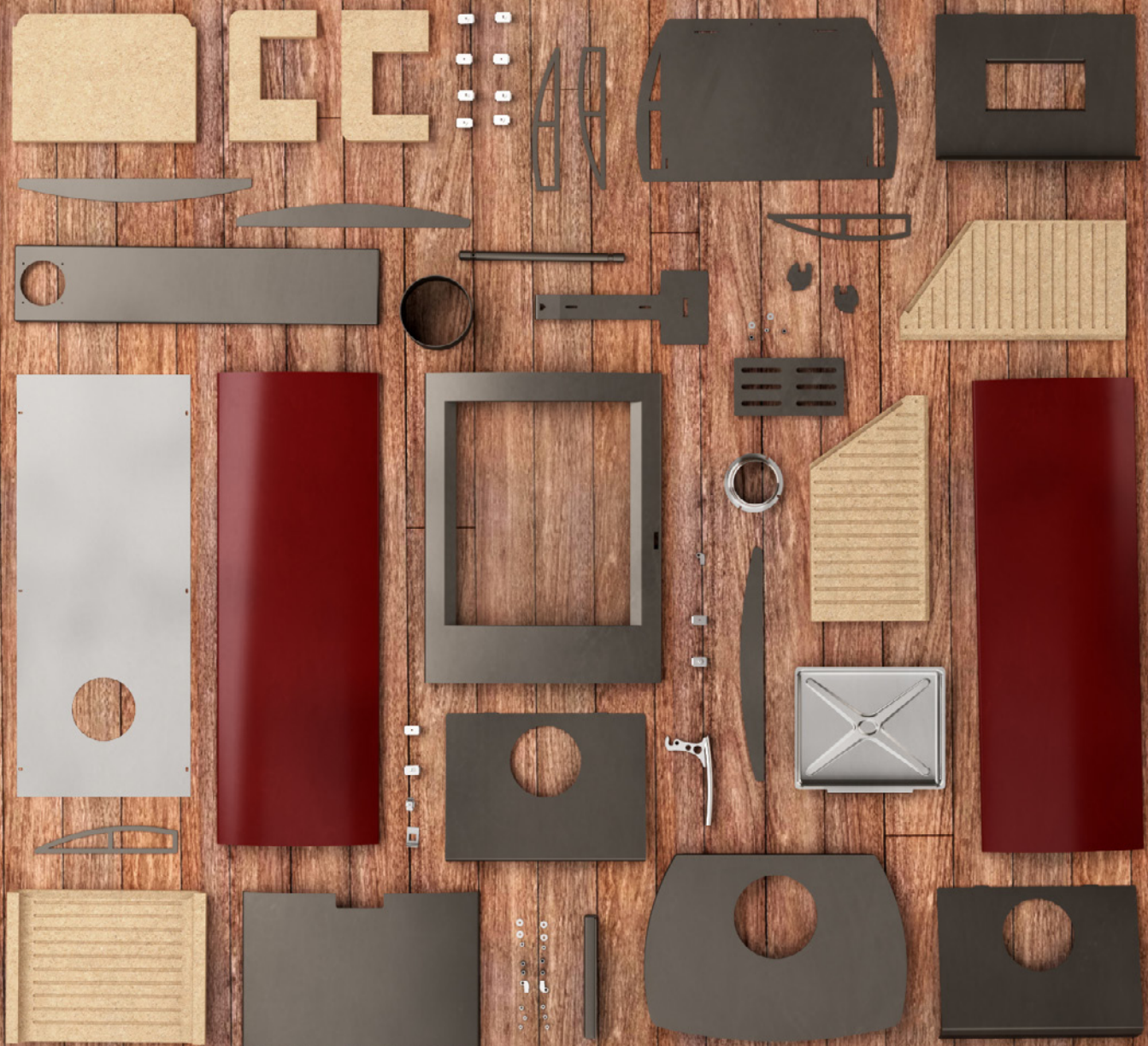
Euro Fireplaces was established in 2010 after the realisation that there was very little available on the Australian market that met the leading European standard of highly efficient, low emitting and stylish wood heaters. Our heaters are beautifully designed, using the latest in wood heating technologies; combining advanced systems such as fresh air intake, heat bank, natural convection and radiant heat.

Designed and manufactured in Europe, Euro Fireplaces are optimised for the Australian climate and hardwoods. Operated by a combination of radiant

heat and natural convection, the most efficient method of wood heating, a correctly operated Euro Fireplace will reduce wood usage by up to 60% compared to a traditional Australian wood heater. Convection allows Euro Fireplaces to gently move warm air throughout your home without the need for an electric fan.

Using the latest in wood heating technology, a Euro Fireplace burns cleanly and efficiently with minimal wood usage, making it the future of wood heating in Australia.









## The Euro Difference

Christian Bergmoser, Managing Director

Wood heating has always been one of the best ways to heat your home, and at Euro Fireplaces, we are committed to making sure it remains so in the future. There really is nothing like the ambience and sense of wellbeing created by a wood fire, however it's also essential that it doesn't come at the expense of our environment. This is why we are committed to providing a solution that optimises clean burning and efficiency without compromising on all the things we love about wood heating.

Unlike traditional fan forced wood heaters, our heaters are designed to maximise your heat output while using the smallest amount of wood possible. This is achieved using a natural convection system, which gently distributes warm air throughout your home. This system is complemented by a lovely radiant heat, which will keep you warm when standing beside the fire. It's that traditional atmosphere, sometimes referred to as the Healthy Heat, that's impossible to achieve with gas or electric heating and the reason we still love our fires so much. However getting the best out of your Euro Fireplace can be a slight adjustment.

Furnace type, fan forced fireplaces rely on large loads of firewood. Burning in such an aggressive way means much of the heat is actually lost through the flue, and the firewood has to be replaced very often. The habit of people shutting down their fireplace overnight also leads to a high emission output. Our heaters are designed to avoid inefficient, 'dirty' burns and as such it's essential that our customers understand this when considering our products.

Our heaters draw cold air from open spaces throughout your home, warm it up and then, as the heat naturally rises, distribute it back into your rooms, creating a continuous cycle. As the air cools and lowers, it is again drawing into the heater, becoming warmer each time, resulting in a well-heated home without the need for a large kW output. Several factors will allow the system to work effectively: for example, gaps under external doors need to be covered to ensure the heater does not draw air from outside. Fan forced heaters are designed to account for leaky houses, but with modern design standards this is an increasingly uncommon issue in Australia. As we move toward six-star houses and older buildings are made thermal efficient, a Euro Fireplace can often become the sole heating method throughout winter.

As well as pushing the envelope of efficient heating in Australia, Euro Fireplaces is a leader in Heat Bank technology. This method of heat storage uses dense materials such as Refractory Concrete and Magnesite Bricks to achieve a prolonged, clean, burn. When incorporated into our wood heaters, these materials will absorb and retain heat during a normal burn before slowly emitting it overnight or after the fire has gone out. In many cases, this heat storage along with a quick start up time makes overnight burning unnecessary.

We are extremely passionate about efficient wood burning and hope you are too. If you think a Euro might be the way forward for your home heating needs, read through the following information and learn more about the future of wood heating.

**Burn Bright, Burn Clean.**

# Bright & Clean

## A Clean Burning Initiative from Euro Fireplaces

At Euro Fireplaces, we are committed to introducing Australian homes to some of the most clean and efficient wood heaters available today. In order to gain these benefits, however, you must operate your fireplaces in the correct manner.

Our new initiative is aimed at bringing awareness to correct burning methods, which may differ in operation from that of traditional fan-forced heaters. Each fireplace sold comes with a "How to Burn" card, which will help you understand the simple steps you can take to get the most out of your new fireplace. Cards for each heating group are also available from our website, as well as more detailed information being available in the operation manual.

When a Euro Fireplace is burnt correctly, it will maintain a clean glass as well as a gentle, bright, flame. If this is not the case, please carefully read through the provided material or contact your local Euro Fireplaces distributor. Remember; Burn Bright, Burn Clean.







## Anatomy of a Euro Fireplace



### Ash Tray

Most of our heaters include a removable ash tray that can easily be accessed for cleaning.



### Log Size

Log size is measured in cm, and assumes a width of approximately 10-12cm.



### Wood Consumption

The amount of wood required to maintain maximum temperature. It is measured in kilograms per hour.



### Riddle Grate

Milano heaters utilise a shiftable grate controlled by a lever. This will disturb the ash, causing it to fall into the tray.



### Heat Bank

Some units are able to house optional Heat Bank, which allows stored heat to continue to heat your home overnight.



### External Air Intake

Installing an external air intake allows the heater to draw oxygen from outside the house. This maintains the air quality inside the house, as well as allowing the heater to achieve a greater draw. We recommend this in all highly efficient homes.

1

### Flue Outlet

Smoke from the fire will escape through the flue. In normal operation, smoke should be barely visible when exiting the top of the flue.

2

### Air Control

The air control will vary in some units, but it is usually a single lever that pulls open and pushes closed with ease. This controls both the Primary and Secondary airflow.

3

### Storage Chamber

Some heaters have a storage chamber that can be used to store kindling, firelighters or anything else.

4

### Secondary Air

Secondary air is used during normal operation. It enters the firebox from the top of the chamber to maintain a consistent flame.

5

### Primary Air

This air source is only accessed when the air control is fully open, and is used to quickly start a fire.

**Bright &  
Clean**





## Milano Group

### Europe's Favourite Heater

A best seller in Europe and Australia, the Milano is very effective despite its small size. Able to heat an area of up to 140m<sup>2</sup>, it is easily operated by primary and secondary air controls. The heater maintains a deep firebox, which is easily cleaned using a riddle grate that shifts ash into a large ashpan; requiring emptying only once a week.

The Milano comes in a number of variants, with the standard version including a cooktop; an easy way to achieve a rustic feel in your home with a kettle on the boil. The enamelled burgundy is extremely popular in Australia, with more neutral options available in black or a modern looking stainless steel finish.



25cm Logs



1.3kg wood per hour

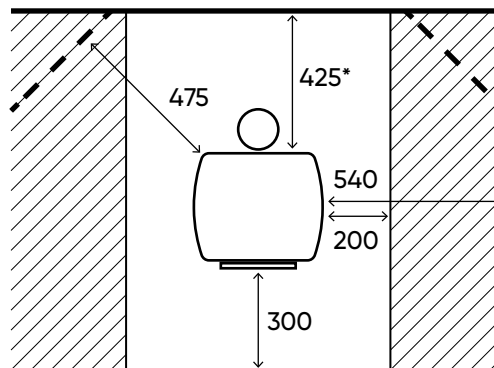


Easy to remove ash tray



Riddle Grate

#### Milano Group Clearances



\* Including 200mm flue junction

\* Milano Top: 250mm





## Heating with Convection

Using the process of natural convection, Euro Fireplaces are able to create an airflow that can reach far into your home without the assistance of a fan. Natural convection occurs through a double skin in the fireplace, drawing in cold air through vents at the bottom and heating it up. The hot air is circulated out through the top of the double skin and into the room, creating a continuously flowing cycle of air. This system can reach into multiple rooms in your home, as long as doors are left open allowing a path for airflow.

**The Quoted heating capacity is dependent on an standard insulated house and ceiling height.**



**Model**

Heating Capacity

Efficiency

Emissions

Wood Usage

Weight

H/W/D

Ember Retention

Flue Outlet

Colour

**Milano**

140m<sup>2</sup>

Aus 64% / EU 79%

1.4g

1.3kg/hr

70kg

890/380/346

5hr+

Rear



**Milano Top**

140m<sup>2</sup>

Aus 64% / EU 79%

1.4g

1.3kg/hr

70kg

890/380/346

5hr+

Top



Tested and complies with AS/NZS 4012:2014, AS/NZS 4013:2014, AS/NZS 2918:2018

**Bright &  
Clean**





## Falun Group

### Heating Made Simple

One of the most popular groups in the Euro Fireplaces range, Falun heaters boast a diversity of finishes to suit any aesthetic. The clean modern lines are complemented by subtly curved panels, which look fantastic whether in a steel, ceramic or stone finish. The large window allows a great view of the tall firebox, which encourages large, gentle flames. The inclusion of a storage chamber also makes these attractive units even more functional.

The Falun group is controlled by a single slider, making it very simple to operate. The effective convection system can also be paired with optional heat bank panels, which will increase the prolonged heating time of the fireplace. These highly efficient systems will contribute to the use of up to three times less fuel than a traditional fan-forced wood burner.



33cm Logs



1.8kg wood per hour



Easy to remove ash tray

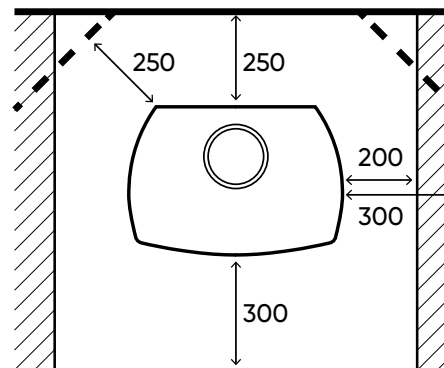


Optional Heat Bank in most models



Optional external air intake

#### Falun Group Clearances



## External Air Intake

A connected fresh air intake allows the heater to draw oxygen needed for combustion directly into the firebox from outside. This means that the inside of your house can stay fresh and warm at the same time without the fire needing to draw oxygen from your immediate surrounds.

With oxygen rich combustion air, the heater will burn even more efficiently, causing the wood to burn longer and cleaner. A fresh air intake is an absolute advantage and a must in 7+ star rated houses.



*Air Intake*



### Model

Heating Capacity

Efficiency

Emissions

Wood Usage

Weight

H/W/D

Ember Retention

With Heat Bank

### Falun

240m<sup>2</sup>

Aus 72% / EU 82%

1.3g

1.8kg/hr

110kg

1020/549/390

5hr+

6hr+ *Optional*

Colour





**Alvesta**

240m<sup>2</sup>

Aus 72% / EU 82%

1.3g

1.8kg/hr

98kg

927/549/390

5hr+

6hr+ *Optional*



**Falun Ceramic**

240m<sup>2</sup>

Aus 72% / EU 82%

1.3g

1.8kg/hr

136kg

1034/628/386

6hr+

7hr+ *Optional*



**Falun Serpentino**

240m<sup>2</sup>

Aus 72% / EU 82%

1.3g

1.8kg/hr

200kg

1034/628/386

-

7hr+ *Soapstone Cladding*



Tested and complies with AS/NZS 4012:2014, AS/NZS 4013:2014, AS/NZS 2918:2018



**Bright &  
Clean**



## Andorra Group Elegant Wood Burning

One of the first collections of heaters introduced to Australia by Euro Fireplaces 10 years ago, the Andorra group continues to include some of the most stylish wood heaters available. For years this group has been amongst the most highly efficient wood heaters available in Australia, and remains years ahead of current emissions regulations; 45% lower than necessary. These environmental benefits are paired with powerful convection heating.

Ranging from the popular Andorra, to the show-stopping Atika, each heater in the group maintains the same base efficiency and heat output. This allows for the benefits of our most efficient heaters to be available to a range of budgets. Regardless of the variant, each heater maintains the signature panoramic window; curved to allow for a better view of the flame. An Andorra heater is guaranteed to be a popular addition to any living room.



33cm Logs



1.8kg wood per hour



Easy to remove ash tray

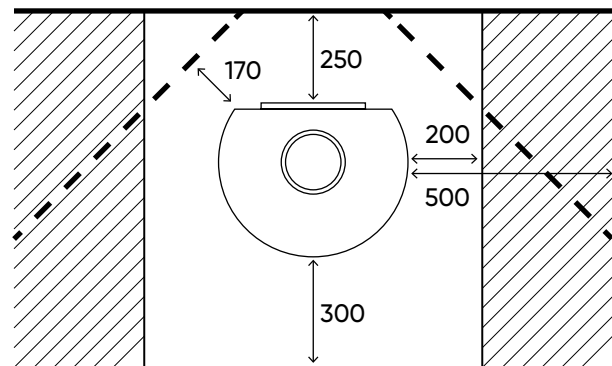


Optional Heat Bank in most models



Optional external air intake

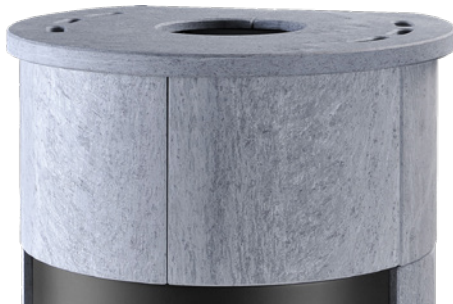
### Andorra Group Clearances



## Steel or Stone?

Similarly to the Falun line of heaters, the Andorra range includes steel, ceramic and stone finishes. Whilst all the fireboxes are the same, the different external materials have different properties.

Steel units will be very quick to heat up, making them perfect for holiday homes. Heaters with a larger thermal mass, such as those which are stone or ceramic clad, will take slightly longer to heat; however these units will maintain temperature for much longer once the fire has gone out.



*Stone Exterior*



*Steel Exterior*



### Model

Heating Capacity

Efficiency

Emissions

Wood Usage

Weight

H/W/D

Ember Retention

With Heat Bank

Colour

### Andorra Standard

240m<sup>2</sup>

Aus 67% / EU 82%

0.8g

1.8kg/hr

110kg

1097/510/415

6hr+

7hr+ *Optional*





### Andorra Exclusive

240m<sup>2</sup>

Aus 67% / EU 82%

0.8g

1.8kg/hr

110kg

1190/510/420

6hr+

7hr+ *Optional*



### Cadiz Serpentino

240m<sup>2</sup>

Aus 67% / EU 82%

0.8g

1.8kg/hr

242kg

1481/575/494

-

8hr+ *Soapstone Cladding*



### Atika

240m<sup>2</sup>

Aus 67% / EU 82%

0.8g

1.8kg/hr

188kg

1475/538/460

-

8hr+ *Included*



Tested and complies with AS/NZS 4012:2014, AS/NZS 4013:2014, AS/NZS 2918:2018



Andorra Group



**Bright &  
Clean**



## Buller Group European Powerhouse

Designed especially for the Australian market, the Buller Group maintains one of the largest heating capacities of the Euro Fireplaces range. Inspired by traditional Australian wood stoves, the wide window and low profile modernises the classic designs that people have come to expect from wood heaters. The two variants include a stylish pedestal stand, or alternatively a functional storage space.

Despite the larger firebox size, the Buller group maintains the high efficiency and low emissions of all Euro Fireplaces. The large window also allows for an unparalleled view of the flame, as well as outputting a cosy radiant heat. This radiant heat is accompanied by the primary convection system, keeping your home warm through the cold winter months.



45cm Logs



2kg wood per hour

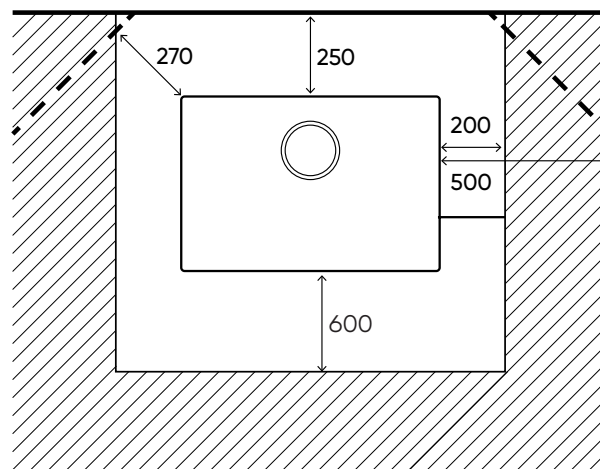


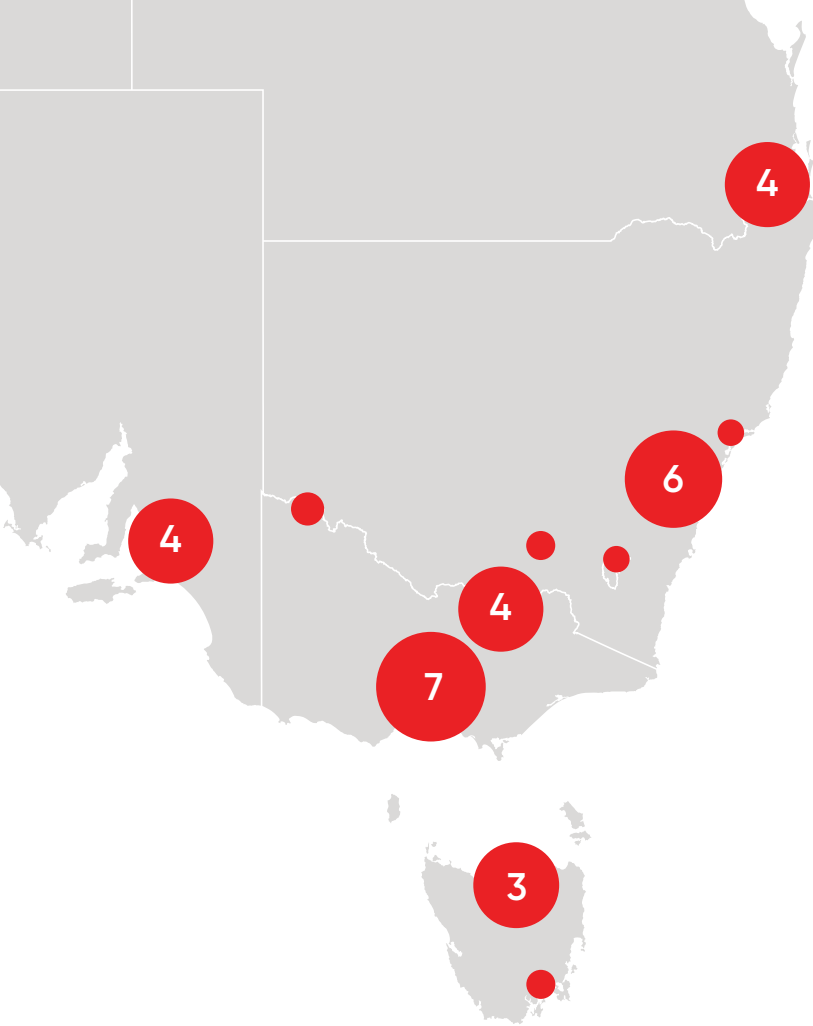
Easy to remove ash tray



Optional external air intake

### Buller Group Clearances





## The Euro Fireplaces Dealer Network

Purchasing a new heating system is one of the most important decisions when it comes to your home, and as there are a huge variety of different systems, styles, sizes and colours available in the heating market, it is best to consider all of your options.

Heating with wood is cost effective (when compared with gas and electricity), environmentally friendly (wood heaters do not use fossil fuels), and nothing beats the feeling of a woodfire; it is truly the heart of your home during the winter period. This is why wood heating is still hugely popular around the world, and why the industry is changing to meet ever increasing emissions and efficiency standards.

From Adelaide to Tasmania via Melbourne, throughout NSW, ACT and in southern Queensland, Euro Fireplaces has over 30 stockist locations where our heaters can be viewed and purchased

Our network of stockists is provided with constant updates and the latest information about everything Euro Fireplaces, and will be more than happy to pass that knowledge on to you, when helping you make the decision of which wood heater is right for your home and lifestyle.

Please visit our website for more details and our full list of more than twenty distributors

[www.eurofireplaces.com.au/distributors](http://www.eurofireplaces.com.au/distributors)



**Model**

**Buller Box**

**Buller Pedestal**

Heating Capacity

280m<sup>2</sup>

280m<sup>2</sup>

Efficiency

Aus 61% / EU 76%

Aus 61% / EU 76%

Emissions

1.4g

1.4g

Wood Usage

2kg/hr

2kg/hr

Weight

158kg

158kg

H/W/D

915/770/527

870/770/527

Ember Retention

6hr+

6hr+

With Heat Bank

7hr+ Optional

7hr+ Optional

Colour





**Bright &  
Clean**



## Olbia Group Premium Heating

Designed for Australia by Austrian manufacturer Haas + Sohn, the Olbia group represents the latest in wood heating innovation. These heaters are controlled with a simple slide lever, allowing for effortless control of the heat output into your home. Extremely efficient, they can also be connected via a duct outside your home to access fresh air, allowing for integration into energy efficient houses.

Overnight, the Olbia group can be equipped with a range of internal magnesite bricks that act as a heat storage, slowly emitting heat over many hours. Along with the already slow burn rate, huge savings can be made in purchasing fuel. These features are coupled with a stunning design and panoramic curved window, making the Olbia a show-stopper in your living room.



33cm Logs



2kg wood  
per hour



Easy to remove  
ash tray

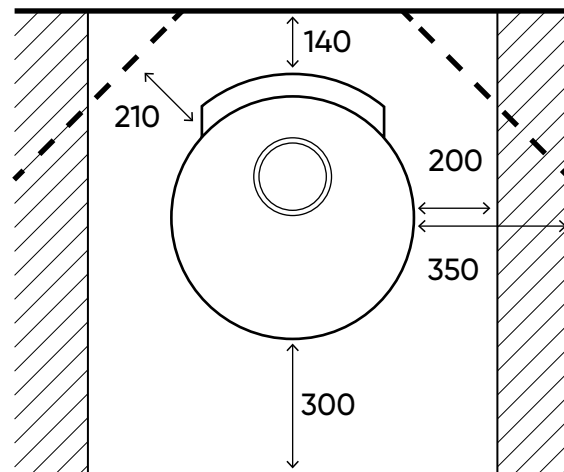


Optional Heat Bank  
in all models



Optional external  
air intake

### Olbia Group Clearances

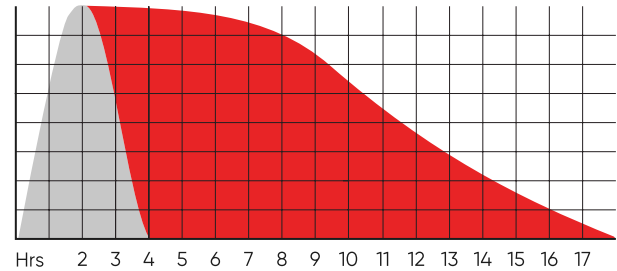


The **Olbia** can hold 70kg of magnesite bricks, enabling over 10hrs of heat retention.



### Heat Retention over time

Courtesy of Haas + Sohn



■ Olbia Group Heater with Heat Bank  
■ Standard Heater

## The Benefits of Heat Bank

Available in many Euro Fireplaces, Heat Bank is an optional addition that provides continued radiant heat overnight. Working similarly to stone or ceramic clad heaters, the thermal mass of added material is used to maintain heat.

Heat retentive material is secured inside the fireplace, such as refractory concrete panels or special magnesite bricks, which store heat as the fire burns over several hours. Overnight, when the fire is burning slowly or has gone out, the panels or bricks release the stored heat in order to continue warming your home. In many cases this negates the need to burn overnight, with the fireplace remaining warm by morning.

Heat Bank is available in Olbia, Falun, Andorra and Buller Group fireplaces.





**Model**

Heating Capacity

Efficiency

Emissions

Wood Usage

Weight

H/W/D

Ember Retention

With Heat Bank

Colour

**Olbia**

280m<sup>2</sup>

Aus 70% / EU 81%

1.5g

2kg/hr

200kg

1150/540/590

8hr+

10hr+ *Optional*



**Uppsala**

280m<sup>2</sup>

Aus 70% / EU 81%

1.5g

2kg/hr

294kg

1160/632/579

9hr+

10hr+ *Soapstone Cladding*







## Pellet Heater Range

### Heat with the touch of a button

Quickly becoming an important part of clean wood heating in Australia, Pellet Heaters offer a range of technological features unavailable in traditional burners. With efficiency rates of over 90% and very few emissions, Pellet heating offers the ambience of a wood fire at the press of a button, with optional Wifi capabilities adding to ease of use.

Often made from the waste of the timber industry, Pellet fuel production has been increasing in Australia over the last few years. The cost of fuel is similar to that of purchasing wood, and offers the ambience of a woodheater while maintaining ease of use similar to gas or electricity. Operation can be automated or activated remotely, ensuring a constantly warm home.



Real Flame



Quiet Operation



Thermostat



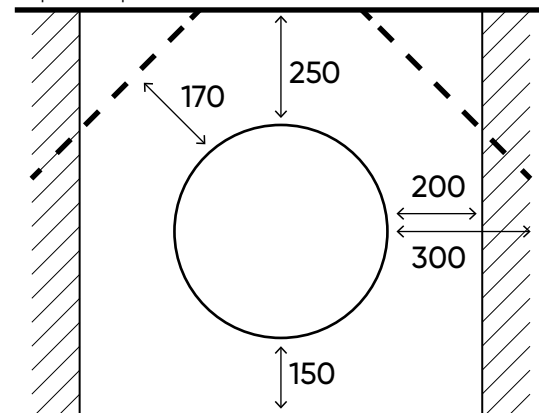
Optional external air intake



Optional Wifi Connectivity

### Pellet Range Clearances

As per European Standards



\* Including flue junction

\* Flue with heatshield can be 75mm from a combustible surface



## Pellet heating Features



### Real Flame

Despite utilising environmentally friendly fuel, the Euro Fireplaces Pellet heating range can produce a substantial flame, similar to that of a wood fire. This allows the ambience of a wood fire with the convenience of technological features.



### Quiet Operation

During normal use, Pellet heaters are very quiet, maintaining a pleasant atmosphere in your room.



### Thermostat

An integrated thermostat maintains a desired temperature, and prevents unnecessary fuel use.



### External Air Intake

Installing an external air intake allows the heater to draw oxygen from outside the house. This maintains the air quality inside the house, as well as allowing the heater to achieve a greater draw. We recommend this in all highly efficient homes.



### Wifi Connectivity

Euro Fireplaces Pellet heaters are equipped with optional Wifi connectivity. This allows a heater to be controlled wirelessly both at home or while away via an online connection.



### Smartphone App

A specially built app will help to control Wifi enabled heaters, with features including remote activation, timers, push notifications and thermostat control.



**Model**

Heating Capacity

Performance

Efficiency

Emissions

Pellet Consumption

Weight

H/W/D

Hopper Capacity

Colour

**Salzburg**

200m<sup>2</sup>

8kW

90-95%

0.2g

0.5-2.4kg/hr

126kg

1051/494/494

12kg



**Salzburg Grande**

200m<sup>2</sup>

8kW

90-95%

0.2g

0.5-2.4kg/hr

126kg

1165/494/494

17kg



*By Special Order*

*Complies with AS/NZS 60335.2.102:2004*





**Model**

Heating Capacity  
 Performance  
 Efficiency  
 Emissions  
 Pellet Consumption  
 Weight  
 H/W/D  
 Hopper Capacity

**Botany**

200m<sup>2</sup>  
 2.4-8.6kW  
 90-95%  
 0.2g  
 0.5-2.5kg/hr  
 99kg  
 960/525/515  
 17kg

**Botany Exclusive**

200m<sup>2</sup>  
 2.4-8.6kW  
 90-95%  
 0.2g  
 0.5-2.5kg/hr  
 97kg  
 967/498/523  
 17kg

Colour





**Pallazza**

|                   |
|-------------------|
| 200m <sup>2</sup> |
| 2.4-8.6kW         |
| 90-95%            |
| 0.2g              |
| 0.5-2.5kg/hr      |
| 101kg             |
| 1001/557/515      |
| 17kg              |



**Pallazza Exclusive**

|                   |
|-------------------|
| 200m <sup>2</sup> |
| 2.4-8.6kW         |
| 90-95%            |
| 0.2g              |
| 0.5-2.5kg/hr      |
| 101kg             |
| 1001/557/515      |
| 17kg              |



**Pallazza Grande**

|                   |
|-------------------|
| 200m <sup>2</sup> |
| 2.4-8.6kW         |
| 90-95%            |
| 0.2g              |
| 0.5-2.5kg/hr      |
| 196kg             |
| 1200/560/510      |
| 32kg              |



Complies with AS/NZS 60335.2.102:2004

**Bright &  
Clean**





## Insert Range Seamless Designs

As well as stunning freestanding showpieces, Euro Fireplaces specialises in inbuilt units that can disappear into your décor. When installed correctly, these units maintain all the benefits of our freestanding fireplaces, including efficient convection heating, but can be finished in whatever materials you like.

As well as new constructions, some insert models can also be installed in an existing open fireplace, transforming it into an ultra-modern and efficient heater. Different sizes of fireboxes are available for different homes and cavities. The two insert models available are based on the Falun and Buller Group fireboxes.



33cm Logs



1.8/2kg wood  
per hour



Easy to remove  
ash tray



Optional Heat Bank  
Installation Dependant



Optional external  
air intake







| <b>Model</b>     | <b>Valencia Insert</b>        |
|------------------|-------------------------------|
| Heating Capacity | 240m <sup>2</sup>             |
| Efficiency       | Aus 72% / EU 82%              |
| Emissions        | 1.3g                          |
| Wood Usage       | 1.8kg/hr                      |
| Weight           | 75kg                          |
| H/W/D            | 830/662/315                   |
| Ember Retention  | 6hr+                          |
| With Heat Bank   | <i>Installation Dependent</i> |

Colour



| <b>Model</b>     | <b>Buller Insert</b>          |
|------------------|-------------------------------|
| Heating Capacity | 280m <sup>2</sup>             |
| Efficiency       | Aus 61% / EU 76%              |
| Emissions        | 1.4g                          |
| Wood Usage       | 2kg/hr                        |
| Weight           | 105kg                         |
| H/W/D            | 662/728/547                   |
| Ember Retention  | 6hr+                          |
| With Heat Bank   | <i>Installation Dependent</i> |



**Bright &  
Clean**





## Brunner Group

### The Pinnacle of Wood Heating

The history of BRUNNER reaches back over 70 years. For three generations the family-owned business, located in the lower Bavarian town of Eggenfelden, has produced the best wood heaters the industry has to offer. At BRUNNER, the term "Made in Germany" is not reduced to a bare slogan. They are proud to be producing long-lasting and simply excellent products, with highly experienced and well-educated professionals. But it doesn't stop there. Alongside their passion for impeccable craftsmanship, BRUNNER, as a brand also stands for innovation and the courage to constantly re-develop and improve.

For a customer experience, that will bring joy and satisfaction for decades, you cannot beat owning a BRUNNER fireplace. Worth its price, a cheaper solution has never been the better one.

There are more than half a million BRUNNER alone in German households. Their owners know that there is just nothing like it on the market.

BRUNNER products stand out due to their sturdiness and the high-quality materials they are built from, not on sales strategies, discounts or other promotions.

All BRUNNER products are developed and manufactured in Germany - 100%. Inserts and other devices are being designed and, if necessary, re-developed and improved, by highly educated engineers and experienced technicians at the BRUNNER headquarters in Eggenfelden. In fact, Brunner not only provide products, but solutions. Brunner especially focus on combining state of the art technology with traditional and established ways of engineering and construction.

When a customer chooses a heater by BRUNNER, they also choose to purchase an experience that will be enjoyed for many years. Higher costs are compensated by a lack of malfunctions, a perfect distribution of heat and maximum efficiency.



33cm+ Logs



2kg wood per hour



Heat Bank in all models



Optional external air intake



## Optimised for Australia

### Panorama Inbuilt Refractory Kit

Designed and manufactured by Brunner in Bavaria the designer inbuilt refractory kit of the Brunner BSK06 and BSK08 allows an uncomplicated, cost effective and safe installation. A traditional brick installation is also possible. A detailed Brick installation guide is available from Euro Fireplaces on request.

The Brunner BSK06 and BSK08 are highly efficient with low emissions. With correct operation, they will not only produce a perfectly clean burning flame, but also will cover most of the heating needs of an average sized house using highly effective natural convection, combined with heat storage.

The designer inbuilt kit can be finished with paint, render, tile or stone cladding. Designed for an exposed flue installation for maximum efficiency, a full enclosure up to the ceiling is also possible.

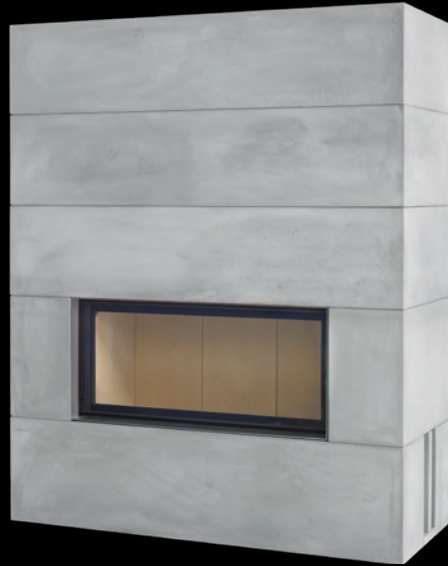
The kit can be assembled by your builder with guidance from Euro Fireplaces; alternatively, Euro Fireplaces provide trained kit installers with the final finish left to your builder. The flue installation must be done by a licensed plumber.

The BRUNNER kit system "BSK" can be set up in just a few hours thanks to its precisely formed heat-storing concrete components.

At 1.9m in height this represents the latest in installation design. You can harvest the heat of the flue, which is not possible if building the hot box all the way to the ceiling. You also do not have any visible vents when using the Brunner BSK design. A lower installation of 1.5 m is also possible.

Brunner represents the pinnacle of Panorama wood heaters in Germany. At the upper end of the market, Brunner becomes very cost-effective when the BSK kit is used in conjunction with your Brunner woodheater, with immense savings in installation costs without forgoing efficiency. Heaters on their own are also available should you choose to organize your own installation by simply mimicking the size of the BSK hot box with a brick hot box built up to the ceiling





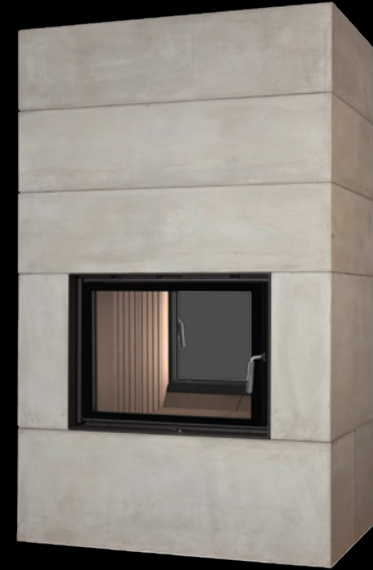
|                      |                     |
|----------------------|---------------------|
| <b>Model</b>         | <b>BSK06 45/101</b> |
| Heating Capacity     | 280m <sup>2</sup>   |
| Efficiency           | Aus 63% / EU 80%    |
| Emissions            | 0.9g                |
| Wood Usage           | 4.3kg/hr            |
| Output               | 14kw                |
| Weight               | 872kg               |
| H/W/D                | 1899/1550/690       |
| Flue Outlet / Length | 8"-12" / 5m         |

|                      |                            |
|----------------------|----------------------------|
| <b>Model</b>         | <b>BSK06 45/101 Tunnel</b> |
| Heating Capacity     | 280m <sup>2</sup>          |
| Efficiency           | Aus 63% / EU 80%           |
| Emissions            | 0.9g                       |
| Wood Usage           | 4.3kg/hr                   |
| Output               | 14kw                       |
| Weight               | 877kg                      |
| H/W/D                | 1899/1550/690              |
| Flue Outlet / Length | 8"-12" / 5m                |

Colour







|                      |                    |
|----------------------|--------------------|
| <b>Model</b>         | <b>BSK08 51/67</b> |
| Heating Capacity     | 280m <sup>2</sup>  |
| Efficiency           | Aus 63% / EU 80%   |
| Emissions            | 0.9g               |
| Wood Usage           | 4.3kg/hr           |
| Output               | 14kw               |
| Weight               | 624kg              |
| H/W/D                | 1802/1100/760      |
| Flue Outlet / Length | 8"-12" / 5m        |

Colour

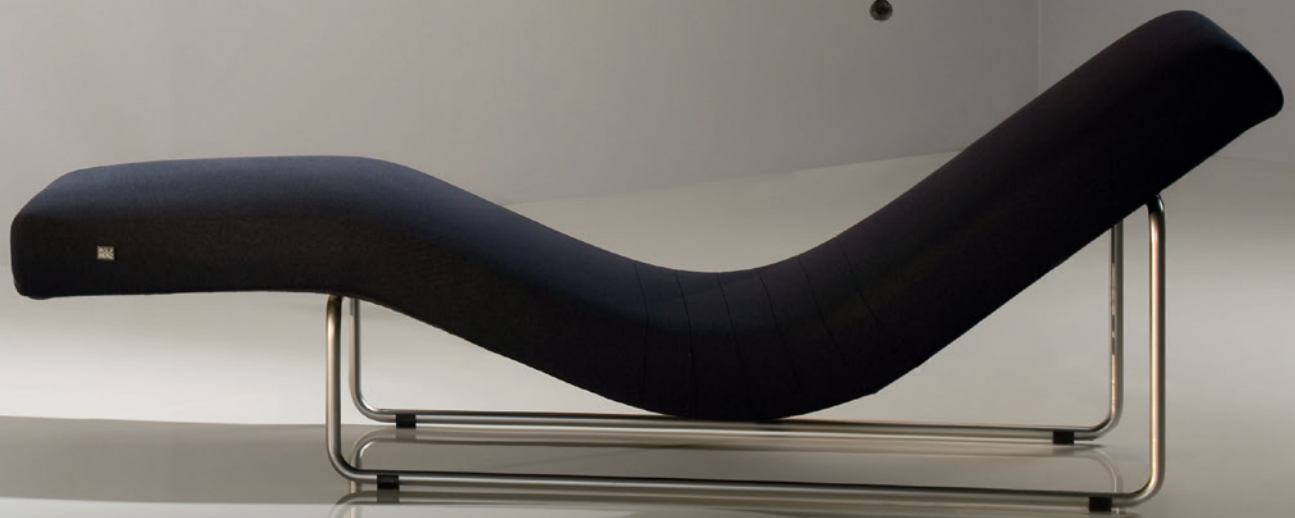


|                      |                           |
|----------------------|---------------------------|
| <b>Model</b>         | <b>BSK08 51/67 Tunnel</b> |
| Heating Capacity     | 280m <sup>2</sup>         |
| Efficiency           | Aus 63% / EU 80%          |
| Emissions            | 0.9g                      |
| Wood Usage           | 4.3kg/hr                  |
| Output               | 14kw                      |
| Weight               | 655kg                     |
| H/W/D                | 1802/1100/760             |
| Flue Outlet / Length | 8"-12" / 5m               |









**Bright & Clean**  
1300 733 705  
[www.eurofireplaces.com.au](http://www.eurofireplaces.com.au)