

BRITISH
FIRES



PRODUCT BROCHURE

WELCOME TO



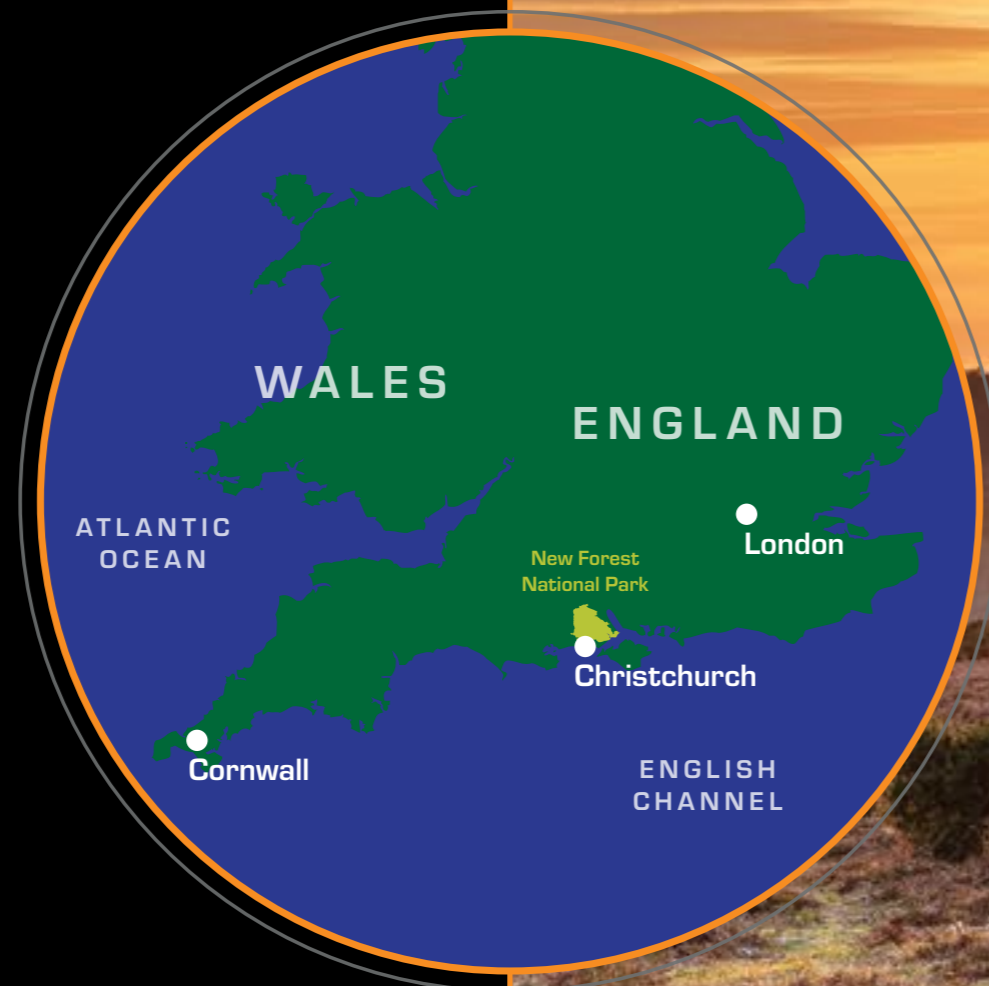
At British Fires the design and development team has one mindset, uncompromising quality, which drives us to deliver top-end products. Our aim is to help you create a peaceful and relaxing environment. Ever since the inception of the New Forest 1200 Electric Fire we have continued to develop and attain a reputation for excellent products and customer support. Our award winning LED flame-effect and patented Air Curtain Technology continue to impress clientele from California to Qatar.

We think you will enjoy exploring our collection of products in this brochure. It offers inspiring installations from exquisite wall insets to charming wall mounted suites.

Located on England's beautiful south coast is the New Forest National Park – the inspiration of our electric fireplaces.

The New Forest covers 219 mi² and is home to many parks, farms, golf courses, and outdoor activities. Today, the New Forest is populated mostly by birch, beech, conifers and oak trees. There are also vast areas of heathland due to cultivation from the Bronze Age and prior which gives the National Park its unique terrain and geography.

This diverse makeup of the New Forest is what gave us the inspiration to design the Forest View fuel bed setting that comes standard with every fireplace.



NEW FOREST NATIONAL PARK UNITED KINGDOM



DOWNLIGHTS

Our award-winning LED flame technology is impressive by itself. It becomes even more amazing when the down-lights are turned on.

Impress your guests with the click of a button. The down-lights not only create the illusion of a deeper looking fuel bed but also a brighter focal point and warmer glow.

The down-lighting effect illuminates the reflective mirror resulting in a brighter fuel-bed while creating the illusion of a deeper looking fuel bed. This transcends the overall effect of the New Forest Electric Fire and creates a prominent focal point within the room.



3-D LOG EFFECT !



BE IN CONTROL

OPEN WINDOW DETECTION

If there is a sudden drop in temperature of 5°C or more within a ten minute period, the heater will automatically turn off to preserve energy. Look out for the OP sign on the digital display to show this has been activated. The heater will start up again once the temperature in the room rises or you choose to manually turn it back on.

THERMOSTATIC HEATING

The Air Curtain Technology® heater system is thermostatically controlled using the remote handset which displays the current setting on the LCD screen. Choose a temperature between 17° and 27°C and the fire will do the work to heat the room to your desired temperature.

AIR CURTAIN TECHNOLOGY®

FLAME CONTROL

Adjust the brightness of the flame to suit your mood. Watch as the flames changes brightness and height.

DOWN LIGHTING

Select to have the carefully placed spot lights on and see every detail of the fire. Turn them off and you will see how relaxing the fuel bed can really be.

FUEL BED COLOUR CHANGE

Cycle through all of the three colours that each provide a unique style. Can't decide - the cycle setting will flow through all the colours for you.

DAILY AND WEEKLY TIMER

Set the fire to provide you with heat on any day throughout the week. The seven-day programmable calendar will remember your settings and will activate the thermostatic heater on each day and every week for when you need the New Forest fire the most.

TIMER BOOST

A range of settings between one and nine hours can be selected to turn the heater on for a desired length of time.



ELECTRIC WALL INSETS

NEW FOREST 650SQ

NEW FOREST 870

NEW FOREST 1200

NEW FOREST 1600

NEW FOREST 1900

NEW FOREST 2400



NEW FOREST 650SQ

DIMENSIONS

Width	654 mm
Height	911 mm
Depth	234 mm

See page 31 for all dimensions

INSTALLATION

One-Sided



scan to learn more





NEW FOREST 870

DIMENSIONS

Width	870 mm
Height	465 mm
Depth	311 mm

See page 31 for all dimensions

INSTALLATION

One-Sided	
Two-Sided	
Three-Sided	



scan to learn more



NEW FOREST 1200

DIMENSIONS

Width	1200 mm
Height	565 mm
Depth	311 mm

See page 31 for all dimensions

INSTALLATION

One-Sided	
Two-Sided	
Three-Sided	



scan to learn more



NEW FOREST 1600

DIMENSIONS

Width	1600 mm
Height	565 mm
Depth	311 mm

See page 32 for all dimensions

INSTALLATION

One-Sided	
Two-Sided	
Three-Sided	



scan to learn more



NEW FOREST 1900

DIMENSIONS

Width	1925 mm
Height	565 mm
Depth	311 mm

See page 32 for all dimensions

INSTALLATION

One-Sided	
Two-Sided	
Three-Sided	



scan to learn more



NEW FOREST 2400

DIMENSIONS

Width	2375 mm
Height	565 mm
Depth	311 mm

See page 32 for all dimensions

INSTALLATION

One-Sided	
Two-Sided	
Three-Sided	



scan to learn more



DELUXE REAL LOGS

As standard, your fuel bed is installed with our premium Deluxe Real Logs for all models.

Each Deluxe Real Log is unique and artisanally crafted using actual logs found in nature. They really enhance an already prominent statement piece in any room and will take any viewer by surprise — especially when you tell them that they are real logs.

The development process of the Deluxe Real Logs fuel bed begins by selecting different sized logs, branches, and twigs to create a natural log layout. Then placed on a forest floor bed comprised of bark, twigs, and log remnants. A resin mix is then added into the base and cured in an oven to permanently fix the logs.

Available with: 650 SQ, 870, 1200, 1600, 1900, 2400, Holbury, Brockenhurst & Winchester.

Optional Ceramic Log Set is also available.



scan to learn more



ELECTRIC SUITES

HOLBURY SUITE
BROCKENHURST SUITE
WINCHESTER SUITE



HOLBURY

AVAILABLE SIZES & COLOURS

870, 1200 & 1600

Grey or White marble-effect

See page 33 for all dimensions

INSTALLATION

One-Sided



scan to learn more



OPEN FRONT DESIGN

BROCKENHURST

AVAILABLE SIZES & COLOURS

870, 1200 & 1600

Grey or White marble-effect

See page 34 for all dimensions

INSTALLATION

Wall Hung Three-Sided



scan to learn more



WINCHESTER

AVAILABLE SIZES & COLOURS

870, 1200 & 1600

Grey or White marble-effect

See page 34 for all dimensions

INSTALLATION

Wall Hung Three-Sided

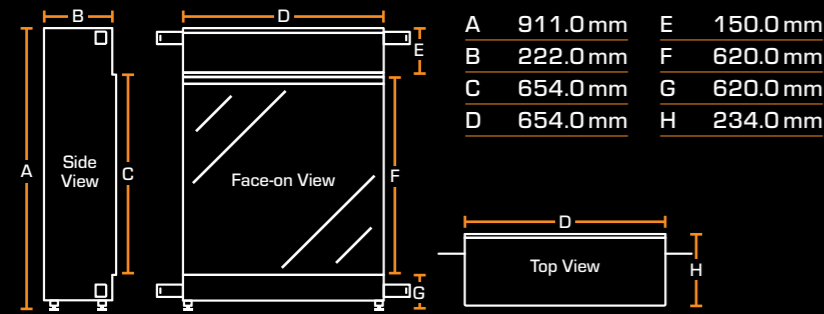


scan to learn more

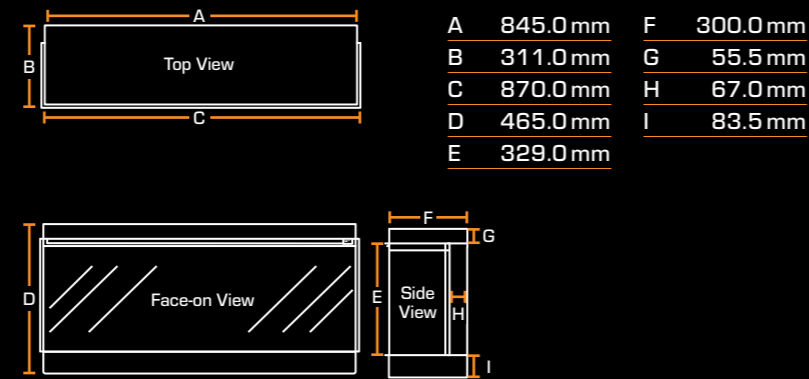


PRODUCT DIMENSIONS

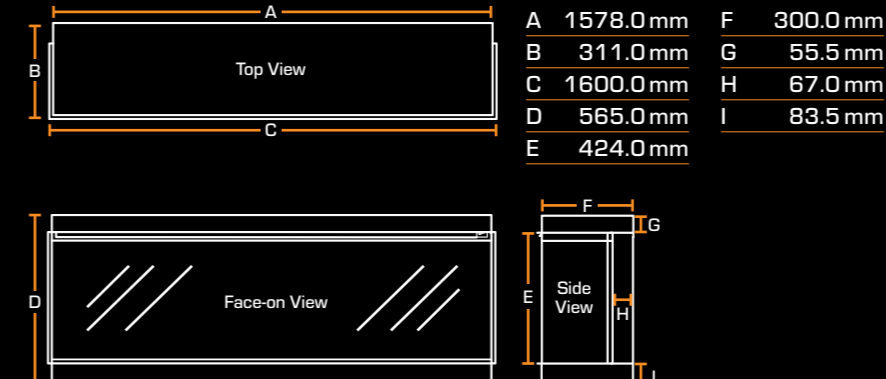
NEW FOREST 650SQ



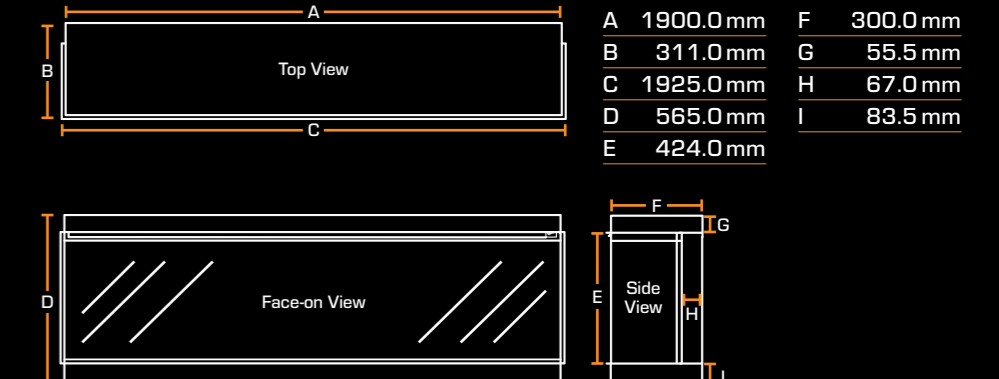
NEW FOREST 870



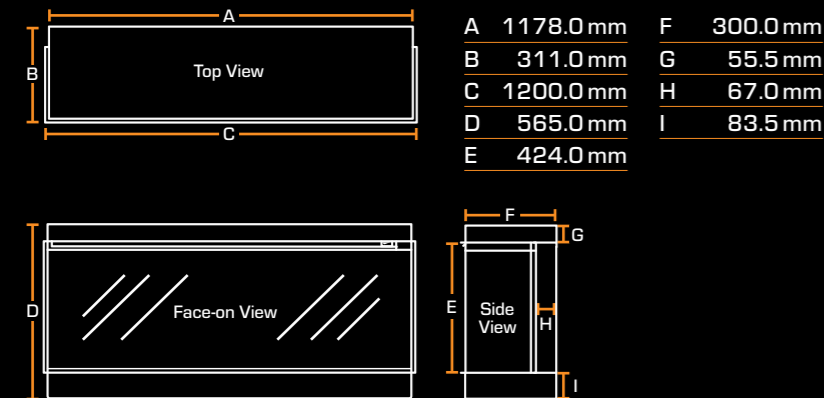
NEW FOREST 1600



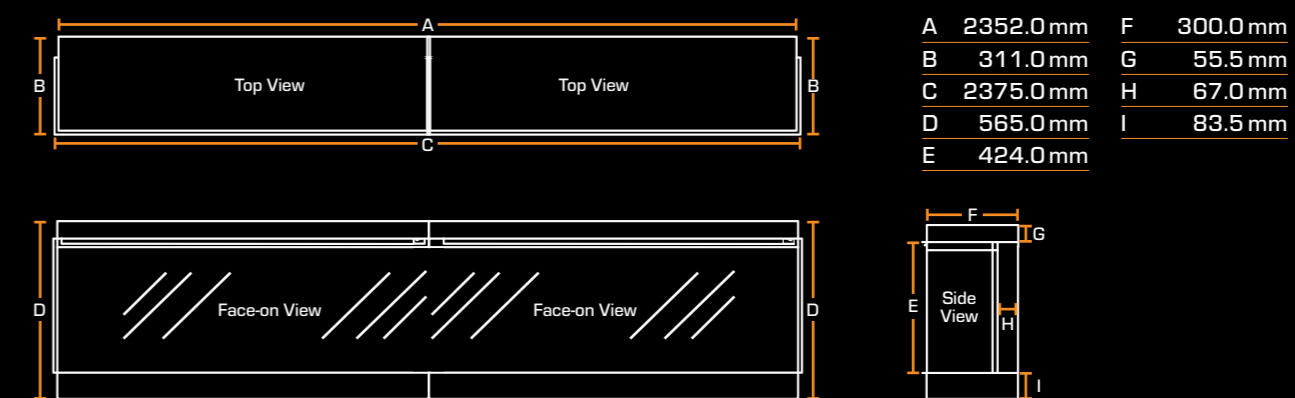
NEW FOREST 1900



NEW FOREST 1200

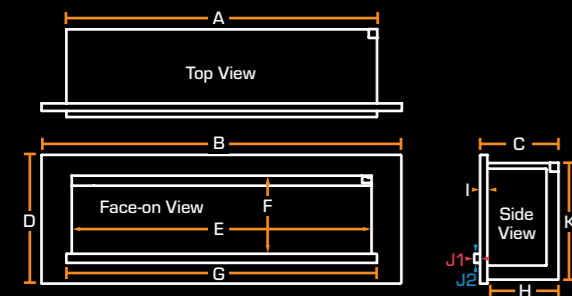


NEW FOREST 2400



PRODUCT DIMENSIONS

HOLBURY SUITE



Holbury 870 Suite

A	845.0 mm	B	1050.0 mm	C	322.5 mm	D	509.0 mm	E	797.0 mm	F	309.0 mm
G	845.0 mm	H	292.5 mm	I	30.0 mm	J1	24.0 mm	J2	35.0 mm	K	465.0 mm

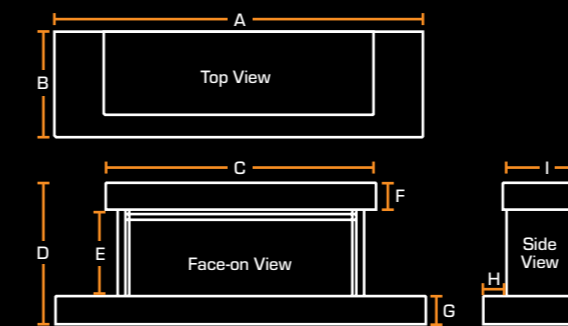
Holbury 1200 Suite

A	1178.0 mm	B	1440.0 mm	C	322.5 mm	D	628.0 mm	E	1127.0 mm	F	403.0 mm
G	1175.0 mm	H	292.5 mm	I	30.0 mm	J1	24.0 mm	J2	35.0 mm	K	565.0 mm

Holbury 1600 Suite

A	1578.0 mm	B	1840.0 mm	C	322.5 mm	D	628.0 mm	E	1527.0 mm	F	403.0 mm
G	1575.0 mm	H	292.5 mm	I	30.0 mm	J1	24.0 mm	J2	35.0 mm	K	565.0 mm

BROCKENHURST SUITE



Brockenhurst 870 Suite

A	1400.0 mm	B	404.0 mm	C	536.0 mm	D	536.0 mm	E	331.0 mm
F	100.0 mm	G	105.0 mm	H	87.0 mm	I	317.5 mm	J	72.5 mm

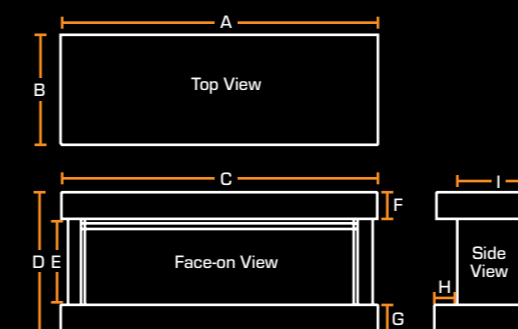
Brockenhurst 1200 Suite

A	1730.0 mm	B	404.0 mm	C	1350.0 mm	D	630.5 mm	E	425.5 mm
F	100.0 mm	G	105.0 mm	H	87.0 mm	I	317.5 mm	J	72.5 mm

Brockenhurst 1600 Suite

A	2130.0 mm	B	404.0 mm	C	1750.0 mm	D	630.5 mm	E	425.5 mm
F	100.0 mm	G	105.0 mm	H	87.0 mm	I	317.5 mm	J	72.5 mm

WINCHESTER SUITE



Winchester 870 Suite

A	1200.0 mm	B	404.0 mm	C	1200.0 mm	D	611.0 mm	E	331.0 mm
F	140.0 mm	G	140.0 mm	H	87.0 mm	I	317.5 mm	J	72.5 mm

Winchester 1200 Suite

A	1530.0 mm	B	404.0 mm	C	1530.0 mm	D	705.0 mm	E	425.0 mm
F	140.0 mm	G	140.0 mm	H	86.5 mm	I	317.5 mm	J	72.5 mm

Winchester 1600 Suite

A	1930.0 mm	B	404.0 mm	C	1930.0 mm	D	705.0 mm	E	331.0 mm
F	140.0 mm	G	140.0 mm	H	87.0 mm	I	317.5 mm	J	72.5 mm

CONTACT

📞 1800 271 040

✉ sales@britishfires.com.au

🌐 www.britishfires.com.au

📍 British Fires Ltd
Distributed in Australia by:
Dragon Wholesaling Pty Ltd
PO Box 8051
Baulkham Hills BC, NSW 1755

GUARANTEE

At British Fires we pride ourselves on quality and performance, so much so, that each British Fires electric product is applicable for a 3-year guarantee when purchased from an authorized dealer. Full warranty terms and conditions are available to view at: www.britishfires.com.au

All appliances must be installed in a correctly ventilated space in accordance with the manufacturer's installation instructions and the rules in force. This brochure is for guidance only and is not intended to replace the installation manual, which provides more detailed information. March 2023. British Fires®

New Forest Electric fires are protected by Patent Numbers:
UK Patent Number: GB 2583055 B
European Patent Number: EP 3 667 171 B



This brochure was correct at publication; however, as our policy is one of continual development and improvement, specifications may be subject to change. Any such changes will not adversely affect the performance or safety of the appliance.







PRODUCT BROCHURE